



TOTO

TECHNICAL DATA SHEET

AL-OMRAN Trading Co.

Riyadh – Saudi Arabia
Website: alomrantrd.com

Tel: 0593851408
WhatsApp: 0595333434
Email: project@alomran.sa

DIGITAL CATALOGUE
SCAN HERE



PRODUCT DETAILS

Type	Water Closet
Item Code	CW542HME5UNW1
Range	RW Series
Material	Vitreous China (Bowl)
Colour	White

Technical Details and Description :

CW542HME5UNW1 = TOTO - Wall Hung Toilet (Combination)
TCF802CZ = TOTO - Concealed WASHLET (Auto Flush)
WH172AAT = Concealed Tank (4.5L / 3L)

ENVIRONMENTAL & TECHNICAL DATA

Flow Rate 4.5L / 3.0 LPF

Flow Chart : Not Applicable

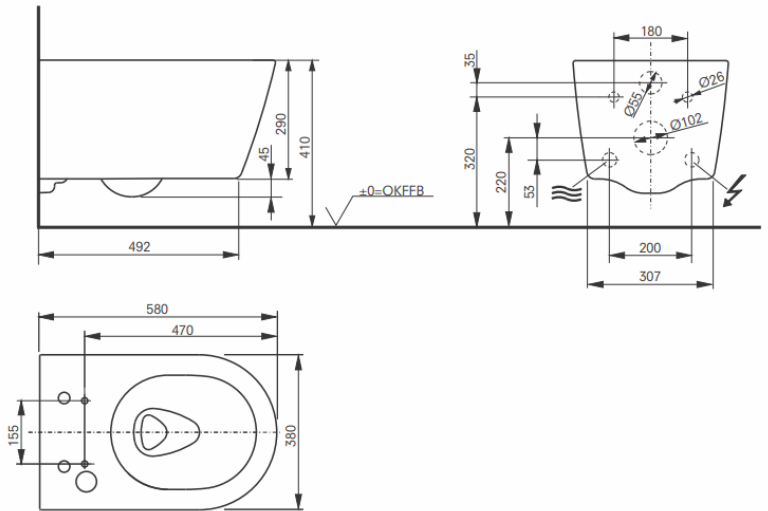
- CEFIONTECT Technology: super smooth, ion barrier glazing for a clean toilet bowl
- TORNADO FLUSH for powerful flushing with less amount of water
- RIMLESS DESIGN bowl ensures easy cleaning and ultimate hygiene
- EWATER+ keeps nozzle and bowl clean with sanitizing effect against bacteria
- Fully equipped with rear, front and oscillating & pulsating cleansing function
- Temperature control HEATED SEAT
- PREMIST a fine spray of mist making it difficult for dirt to adhere
- Auto lid opening and closing
- EWATER+ is made from tap water by electrolyzed chloride ion. After use, it returns back to ordinary state of water



IMAGE



TECHNICAL DRAWING



CERTIFICATION / STANDARDS

Warranty 1 Year

Standards TOTO Industrial Standards(JIS)

NOTE : This (CW542HME5UNW1) MAIN PRODUCT CODE not change - only will be change MAIN PRODUCT CODE end of Letter's Every Year as per SASO request

REMARKS

COMPONENTS



TOTO

TECHNICAL DATA SHEET

AL-OMRAN Trading Co.

Riyadh – Saudi Arabia
Website: alomrantrd.com

Tel: 0593851408
WhatsApp: 0595333434
Email: project@alomran.sa

DIGITAL CATALOGUE
SCAN HERE



PRODUCT DETAILS

Type	WASHLET RW
Item Code	TCF802CZ#NW1
Range	RW Series
Material	Vitreous China (Bowl)
Colour	White

Technical Details and Description :

TCF802CZ = TOTO - Concealed WASHLET
(Auto Flush) 391W x 579D x 108H mm

ENVIRONMENTAL & TECHNICAL DATA

Flow Rate 4.5L / 3.0 LPF

Flow Chart : Not Applicable

- Size :391W x 579D x 108H mm
- Material :Urea Resin
- Shape :Square
- Water Pressure :0.05 MPa <dynamic> - 0.75 MPa <static> *
- Power Rating :220~230V** , 50/60Hz , 826~837W

WASHLET RW TCF802CZ#NW1

* Recommended for Auto Water Pressure Pump 2.5 Bar (0.25 MPa).

* Recommended for Voltage Stabilizer 1.0 KVA to avoid Power supply voltage Fluctuation.

* Recommended for - Soft water CaCO3<50ppm, TDS<300 ppm (mg/l).

**Recommended NOT to USE Black Colored or DARK Colored Wall & Floor Tiles/Marbles and NO BLACK/DARK Colored CEILING or FALSE CEILING, interior of WC BOOTH or TOILET KIOSK. Remote Controller IR SIGNAL STRENGTH REDUCED & ABSORVED on DARK SURFACE. So Neorest_Washlet Cannot be Operational with Remote Controller.

CERTIFICATION / STANDARDS

Warranty 1 Year

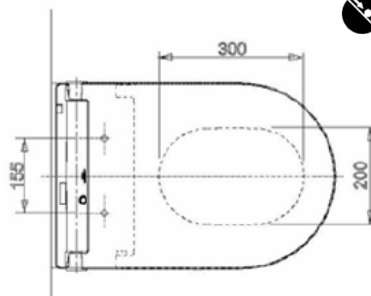
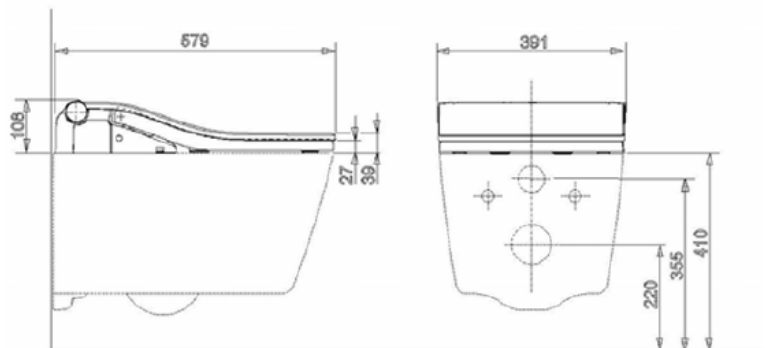
Standards TOTO Industrial Standards(JIS)

REMARKS

IMAGE



TECHNICAL DRAWING



NOTE : This (**TCF802CZ**) MAIN PRODUCT CODE not change - only will be change MAIN PRODUCT CODE end of Letter's Every Year as per SASO request

COMPONENTS



TOTO

TECHNICAL DATA SHEET

AL-OMRAN Trading Co.

Riyadh – Saudi Arabia
Website: alomrantrd.com

Tel: 0593851408
WhatsApp: 0595333434
Email: project@alomran.sa

DIGITAL CATALOGUE
SCAN HERE



PRODUCT DETAILS

Type	Concealed Tank
Item Code	WH172AAT
Range	*****
Material	Steel
Colour	Blue

Technical Details and Description :

WH172AAT = Concealed Tank (4.5L / 3L)
(Auto Flush)

IMAGE

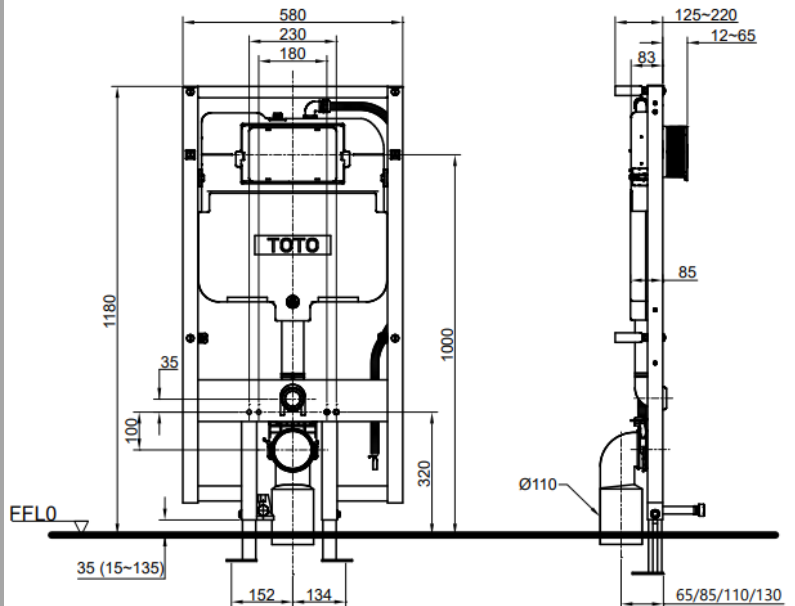


ENVIRONMENTAL & TECHNICAL DATA

Flow Rate 4.5L / 3.0 LPF

Flow Chart : Not Applicable

TECHNICAL DRAWING



CERTIFICATION / STANDARDS

Warranty 1 Year

Standards TOTO Industrial Standards(JIS)

NOTE : This (**WH172AAT**) MAIN PRODUCT CODE not change - only will be change MAIN PRODUCT CODE end of Letter's Every Year as per SASO request

REMARKS

COMPONENTS



TOTO

TECHNICAL DATA SHEET

AL-OMRAN Trading Co.

Riyadh – Saudi Arabia
Website: alomrantrd.com

Tel: 0593851408
WhatsApp: 0595333434
Email: project@alomran.sa

DIGITAL CATALOGUE
SCAN HERE



PRODUCT DETAILS

Type	Push Plate
Item Code	MB003CPR-2
Range	*****
Material	ABS
Colour	Chrome

Technical Details and Description :

TOTO - Dual Push Plate

IMAGE

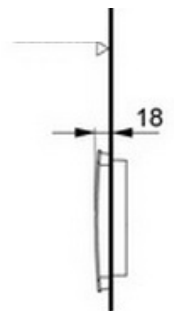
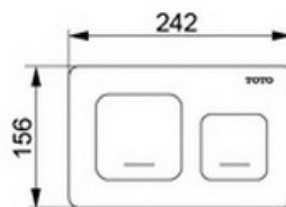


ENVIRONMENTAL & TECHNICAL DATA

Flow Rate : Not Applicable

Flow Chart : Not Applicable

TECHNICAL DRAWING



CERTIFICATION / STANDARDS

Warranty : 1 Year

Standards : TOTO Industrial Standards(JIS)

NOTE : This (**MB003CPR-2**) MAIN PRODUCT CODE not change - only will be change MAIN PRODUCT CODE end of Letter's Every Year as per SASO request

REMARKS

COMPONENTS