



TOTO

TECHNICAL DATA SHEET

AL-OMRAN Trading Co.

Riyadh – Saudi Arabia
Website: alomrantrd.com

Tel: 0593851408
WhatsApp: 0595333434
Email: project@alomran.sa

DIGITAL CATALOGUE
SCAN HERE



PRODUCT DETAILS

Type	Hand Shower
Item Code	TBW01008D
Range	G Selection - Hand Shower (1 mode)
Material	ABS Plastic (Shower)
Colour	Chrome

Technical Details and Description :

G Selection Hand Shower (1 mode)
Shape: Round
Dimension: Diameter 110mm

ENVIRONMENTAL & TECHNICAL DATA

Flow Rate 0.05MPa~0.75MPa

Flow Chart : no

- 1 mode function with Round shape hand shower (COMFORT WAVE)
- Comfortable use with anti-rotation mechanism



CERTIFICATION / STANDARDS

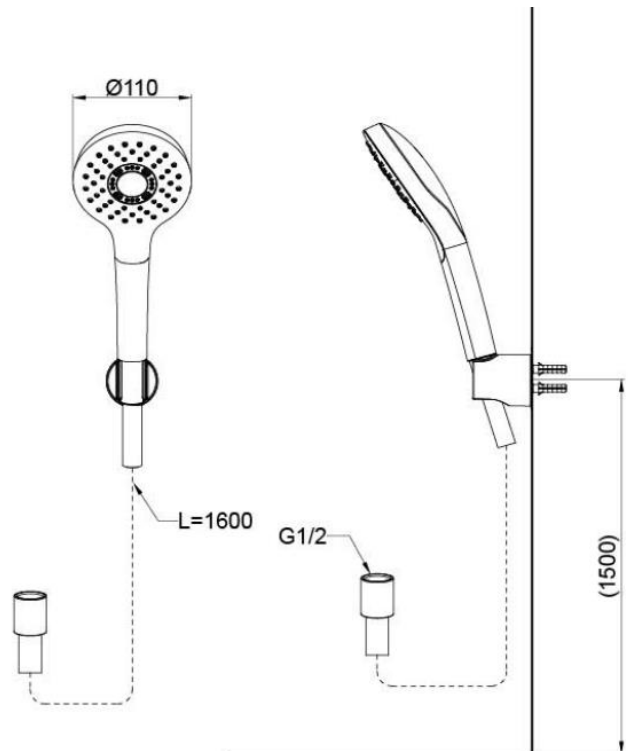
Warranty	1 Year
Standards	TOTO Industrial Standards(JIS)

REMARKS

IMAGE



TECHNICAL DRAWING



NOTE : This (TBW01008D) MAIN PRODUCT CODE not change - only will be change MAIN PRODUCT CODE end of Letter's Every Year as per SASO request

COMPONENTS