



TOTO

TECHNICAL DATA SHEET

AL-OMRAN Trading Co.

Riyadh – Saudi Arabia
Website: alomrantrd.com

Tel: 0593851408
WhatsApp: 0595333434
Email: project@alomran.sa

DIGITAL CATALOGUE
SCAN HERE



PRODUCT DETAILS

| | |
|------------------|--|
| Type | Fixed Shower Head (Wall Type) (Multi mode) |
| Item Code | TBW01013D |
| Range | G Selection Over Head Shower (Wall Type) (5mode) |
| Material | Brass (Body) ABS Plastic (Shower) |
| Colour | Chrome |

Technical Details and Description :

G Selection Over Head Shower (Wall Type) (5mode)

ENVIRONMENTAL & TECHNICAL DATA

Flow Rate 0.05 Mpa ~ 0.75 Mpa

Flow Chart : no

Gorgeous and Smart Design Concept



CERTIFICATION / STANDARDS

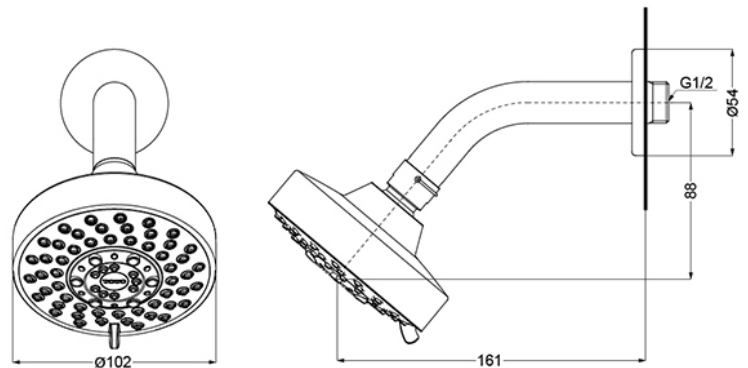
| | |
|------------------|----------------------------------|
| Warranty | 1 Year |
| Standards | TOTO Industrial Standards(JIS) |

REMARKS

IMAGE



TECHNICAL DRAWING



NOTE : This (TBW01013D) MAIN PRODUCT CODE not change - only will be change MAIN PRODUCT CODE end of Letter's Every Year as per SASO request

COMPONENTS