

TOTO

TECHNICAL DATA SHEET

TOTO Asia Oceania (ME)
 LOB 19-1701/1702, Jebel Ali Free Zone
 P.O.BOX No :261804 , Dubai U.A.E
 Tel : +9714 8865983
 Fax: +971-4-8865986
 Website: asia.toto.com

Sanela Lazic
 SPECIFICATION
 Cell : +971-50-6473900
 Email : sanela.lazic@toto.com

Gabriel Toumes
 SPECIFICATION
 Cell : +971-54-4430275
 Email : gabriel.toumes@toto.com

PRODUCT DETAILS

Type	Hand Shower
Item Code	TBW02017A
Range	G
Material	ABS Plastic (Shower)
Colour	Chrome

Technical Details and Description :

TOTO - "G Shower" 1-Mode Hand Shower Set (w/ Hand Shower, Hose & Holder)

ENVIRONMENTAL & TECHNICAL DATA

Flow Rate	TBA
-----------	-----

Flow Chart : TBA

LITERS

PRESSURE

CERTIFICATION / STANDARDS

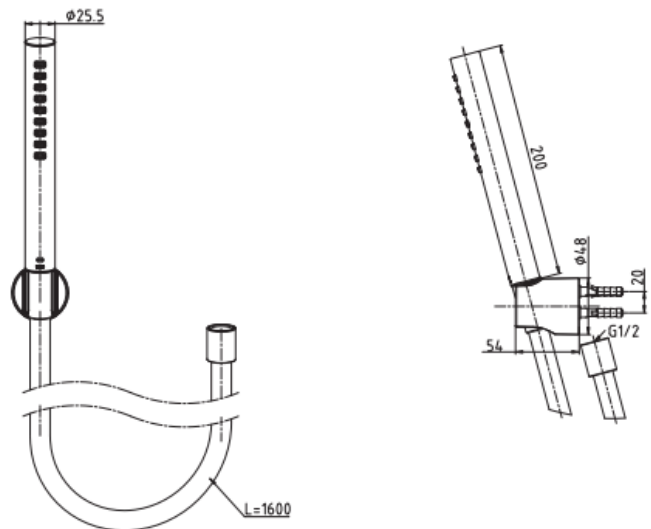
Warranty	1 Year
Standards	TOTO Industrial Standards(JIS)

REMARKS

IMAGE



TECHNICAL DRAWING



Note: Dashed lines are not part of product.

COMPONENTS

TOTO

TECHNICAL DATA SHEET

TOTO Asia Oceania (ME)
 LOB 19-1701/1702, Jebel Ali Free Zone
 P.O.BOX No :261804 , Dubai U.A.E
 Tel : +9714 8865983
 Fax: +971-4-8865986
 Website: asia.toto.com

Sanela Lazic
 SPECIFICATION
 Cell : +971-50-6473900
 Email : sanela.lazic@toto.com

Gabriel Toumes
 SPECIFICATION
 Cell : +971-54-4430275
 Email : gabriel.toumes@toto.com

PRODUCT DETAILS

Type	Hand Shower
Item Code	TBW02017A
Range	G
Material	ABS Plastic (Shower)
Colour	Brushed Nickel

Technical Details and Description :

TOTO - "G Shower" 1-Mode Hand Shower Set (w/ Hand Shower, Hose & Holder)

ENVIRONMENTAL & TECHNICAL DATA

Flow Rate TBA

Flow Chart : TBA

LITERS

PRESSURE

CERTIFICATION / STANDARDS

Warranty	1 Year
Standards	TOTO Industrial Standards(JIS)

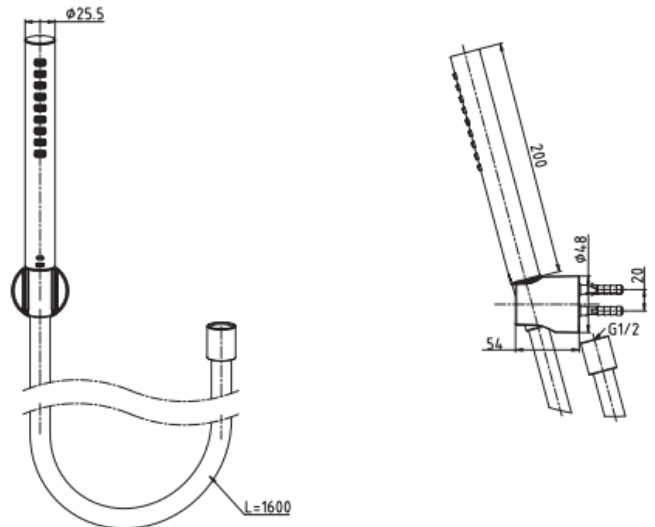
REMARKS

IMAGE



Brushed Nickel #BN

TECHNICAL DRAWING



Note: Dashed lines are not part of product.

COMPONENTS

TOTO

TOTO Asia Oceania (ME)
 LOB 19-1701/1702, Jebel Ali Free Zone
 P.O.BOX No :261804 , Dubai U.A.E
 Tel : +9714 8865983
 Fax: +971-4-8865986
 Website: asia.toto.com

Sanela Lazic
 SPECIFICATION
 Cell : +971-50-6473900
 Email : sanela.lazic@toto.com

Gabriel Toumes
 SPECIFICATION
 Cell : +971-54-4430275
 Email : gabriel.toumes@toto.com

TECHNICAL DATA SHEET

PRODUCT DETAILS

Type	Hand Shower
Item Code	TBW02017A
Range	G
Material	ABS Plastic (Shower)
Colour	Polished French Gold

Technical Details and Description :

TOTO - "G Shower" 1-Mode Hand Shower Set (w/ Hand Shower, Hose & Holder)

ENVIRONMENTAL & TECHNICAL DATA

Flow Rate	TBA
-----------	-----

Flow Chart : TBA

LITERS

PRESSURE

CERTIFICATION / STANDARDS

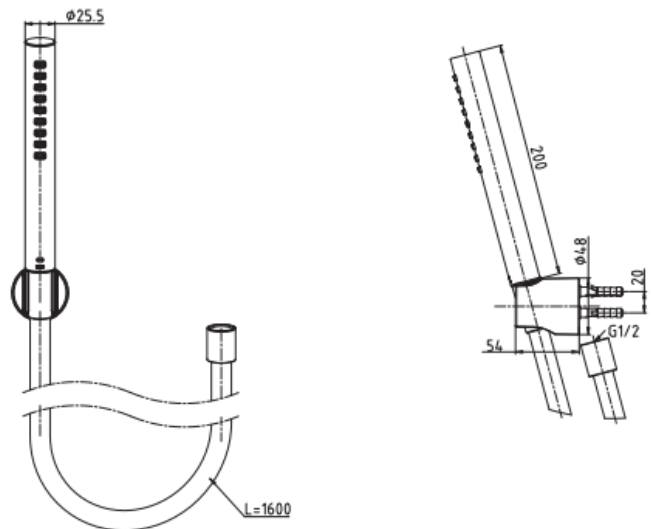
Warranty	1 Year
Standards	TOTO Industrial Standards(JIS)

REMARKS

IMAGE



TECHNICAL DRAWING



Note: Dashed lines are not part of product.

COMPONENTS

Note: All recommended installation dimension are for reference only.

TOTO

TECHNICAL DATA SHEET

TOTO Asia Oceania (ME)
 LOB 19-1701/1702, Jebel Ali Free Zone
 P.O.BOX No :261804 , Dubai U.A.E
 Tel : +9714 8865983
 Fax: +971-4-8865986
 Website: asia.toto.com

Sanela Lazic
 SPECIFICATION
 Cell : +971-50-6473900
 Email : sanela.lazic@toto.com

Gabriel Toumes
 SPECIFICATION
 Cell : +971-54-4430275
 Email : gabriel.toumes@toto.com

PRODUCT DETAILS

Type	Hand Shower
Item Code	TBW02017A
Range	G
Material	ABS Plastic (Shower)
Colour	Brush French Gold

Technical Details and Description :

TOTO - "G Shower" 1-Mode Hand Shower Set (w/ Hand Shower, Hose & Holder)

ENVIRONMENTAL & TECHNICAL DATA

Flow Rate TBA

Flow Chart : TBA

LITERS

PRESSURE

CERTIFICATION / STANDARDS

Warranty	1 Year
Standards	TOTO Industrial Standards(JIS)

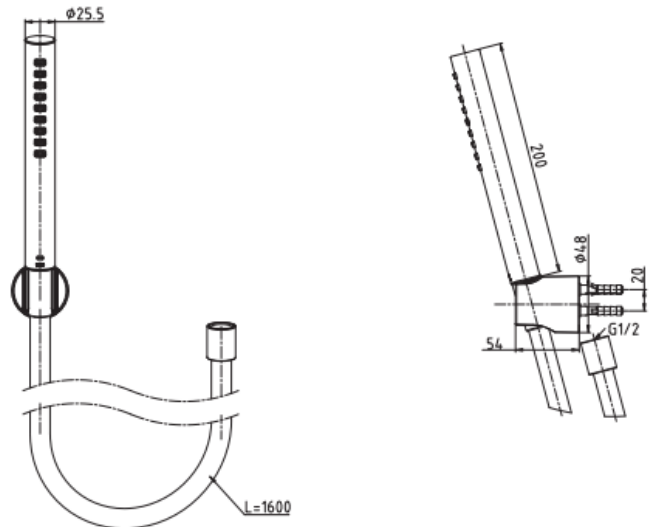
REMARKS

IMAGE



Brush French Gold #BFG

TECHNICAL DRAWING



Note: Dashed lines are not part of product.

COMPONENTS

Note: All recommended installation dimension are for reference only.

TOTO

TECHNICAL DATA SHEET

TOTO Asia Oceania (ME)
 LOB 19-1701/1702, Jebel Ali Free Zone
 P.O.BOX No :261804 , Dubai U.A.E
 Tel : +9714 8865983
 Fax: +971-4-8865986
 Website: asia.toto.com

Sanela Lazic
 SPECIFICATION
 Cell : +971-50-6473900
 Email : sanela.lazic@toto.com

Gabriel Toumes
 SPECIFICATION
 Cell : +971-54-4430275
 Email : gabriel.toumes@toto.com

PRODUCT DETAILS

Type	Hand Shower
Item Code	TBW02017A
Range	G
Material	ABS Plastic (Shower)
Colour	Matte Black

Technical Details and Description :

TOTO - "G Shower" 1-Mode Hand Shower Set (w/ Hand Shower, Hose & Holder)

ENVIRONMENTAL & TECHNICAL DATA

Flow Rate	TBA
-----------	-----

Flow Chart : TBA

LITERS

PRESSURE

CERTIFICATION / STANDARDS

Warranty	1 Year
Standards	TOTO Industrial Standards(JIS)

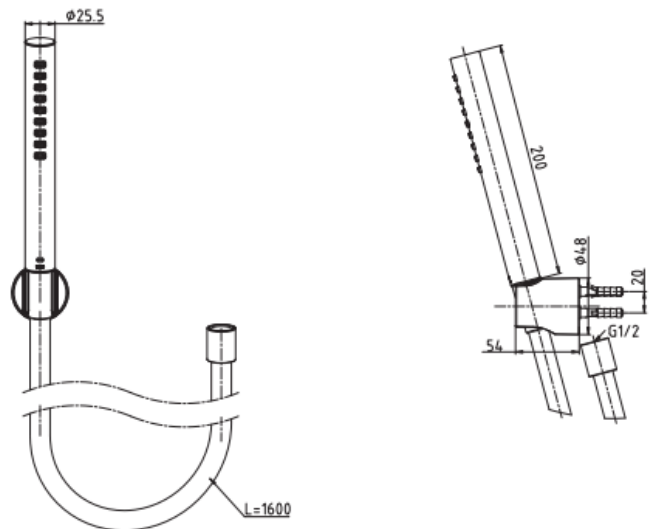
REMARKS

IMAGE



Matte Black # MBL

TECHNICAL DRAWING



Note: Dashed lines are not part of product.

COMPONENTS