



TOTO

TECHNICAL DATA SHEET

AL-OMRAN Trading Co.

Riyadh – Saudi Arabia
Website: alomrantrd.com

Tel: 0593851408
WhatsApp: 0595333434
Email: project@alomran.sa

DIGITAL CATALOGUE
SCAN HERE



PRODUCT DETAILS

| | |
|-----------|-------------------------------|
| Type | Concealed tank |
| Item Code | WH036D |
| Range | ---- |
| Material | Fame – Steel / Tank - Plastic |
| Colour | Red |

Technical Details and Description :

TOTO -Concealed Tank for Neorest LE I & LE II

ENVIRONMENTAL & TECHNICAL DATA

Flow Rate 0.05Mpa~0.75Mpa

Water Use : 4.5L / 3.0L

Water Inlet Requirement:
0.1MPa(Dynamic Pressure) (20L/min)~
0.75MPa(Static Pressure)

Remarks: Short tank

Dual Flush System
WATER SAVING

Matching Toilet :
NEOREST LE II CW996P / TCF996WA
NEOREST LE I CW994P / TCF994WA

Optional Parts :
MB005DGN Flush Panel

CERTIFICATION / STANDARDS

Warranty 1 Year

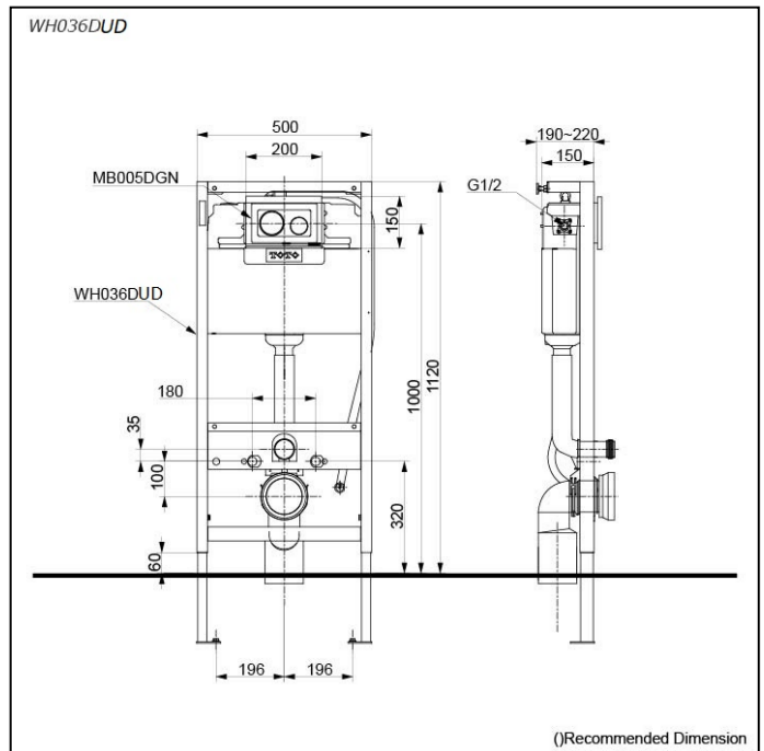
Standards TOTO Industrial
Standards(JIS)

REMARKS

IMAGE



TECHNICAL DRAWING



NOTE : This (WH036D) MAIN PRODUCT CODE not change - only will be change MAIN PRODUCT CODE end of Letter's Every Year as per SASO request

COMPONENTS